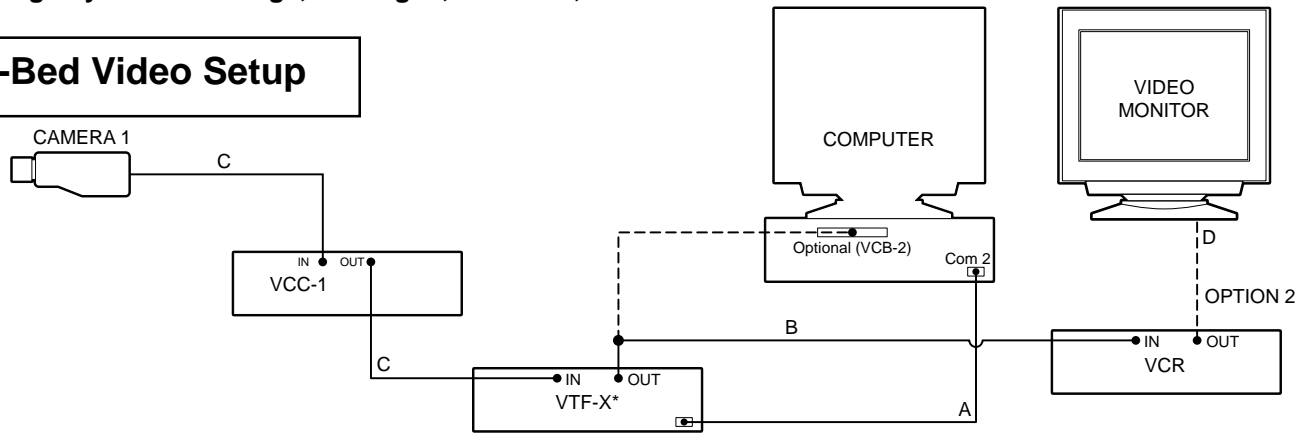


Heritage Systems: Heritage, Colleague, Braintree, Sonoma

1-Bed Video Setup

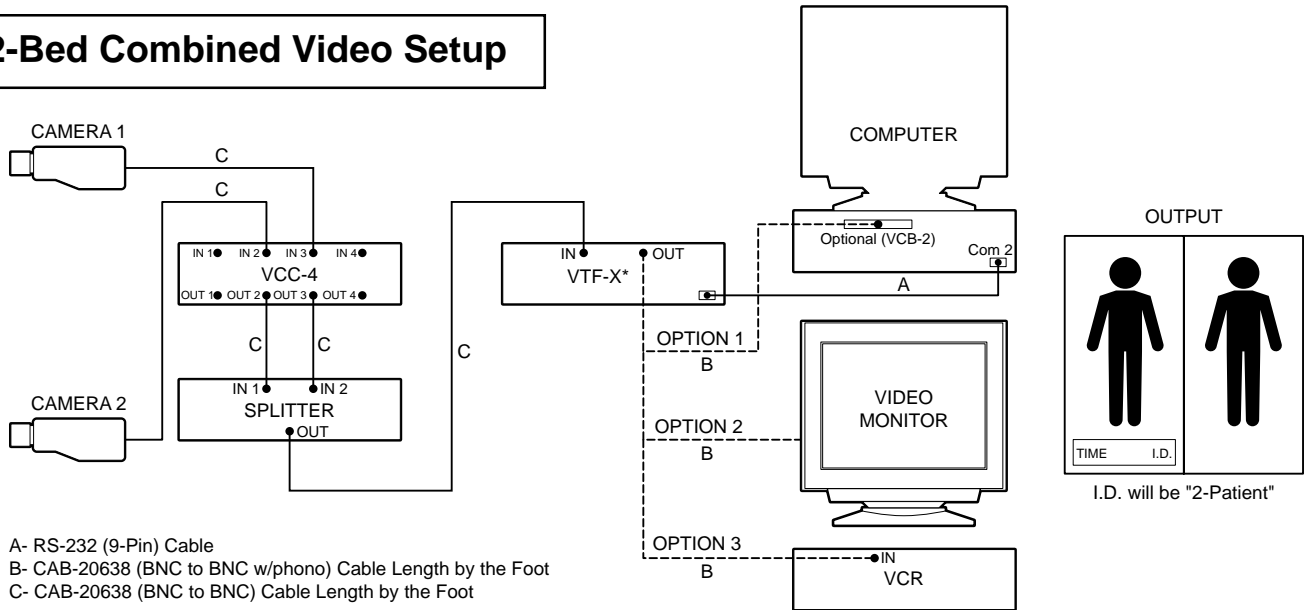


- A- RS-232 (9-Pin) Cable
- B- CAB-20638 (BNC to BNC w/phono) Cable Length by the Foot
- C- CAB-20638 (BNC to BNC) Cable Length by the Foot
- D- CAB-20638 (BNC w/Phono to BNC w/ Phono) Cable Length by the Foot

VIDEO MONITORING
 Option 1: On Screen (Computer) Video Monitor
 Option 2: Separate Video Monitor

* VTF-1, VTF-2 or VTF-3

2-Bed Combined Video Setup



- A- RS-232 (9-Pin) Cable
- B- CAB-20638 (BNC to BNC w/phono) Cable Length by the Foot
- C- CAB-20638 (BNC to BNC) Cable Length by the Foot

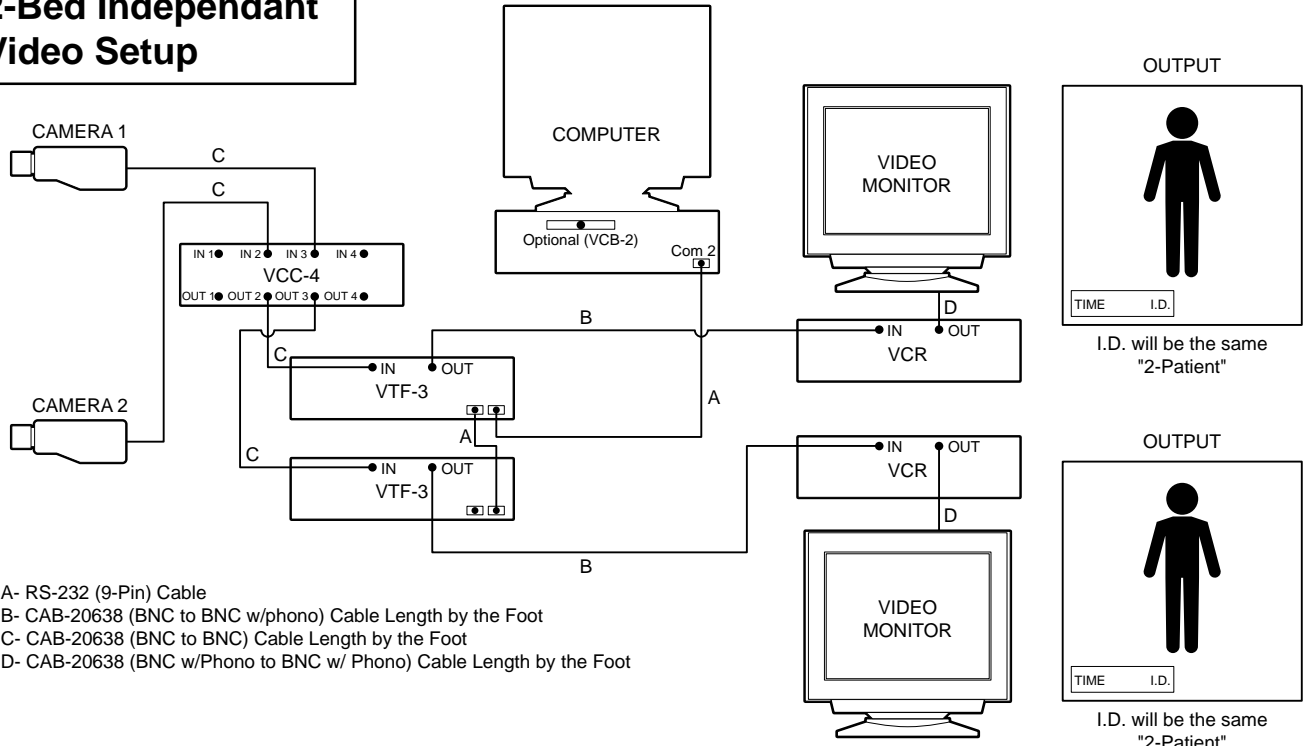
VIDEO MONITORING
 Option 1: On Screen (Computer) Video Window
 Option 2: Separate Video Monitor
 Option 3: VCR

*VTF-1,VTF-2 or VTF-3

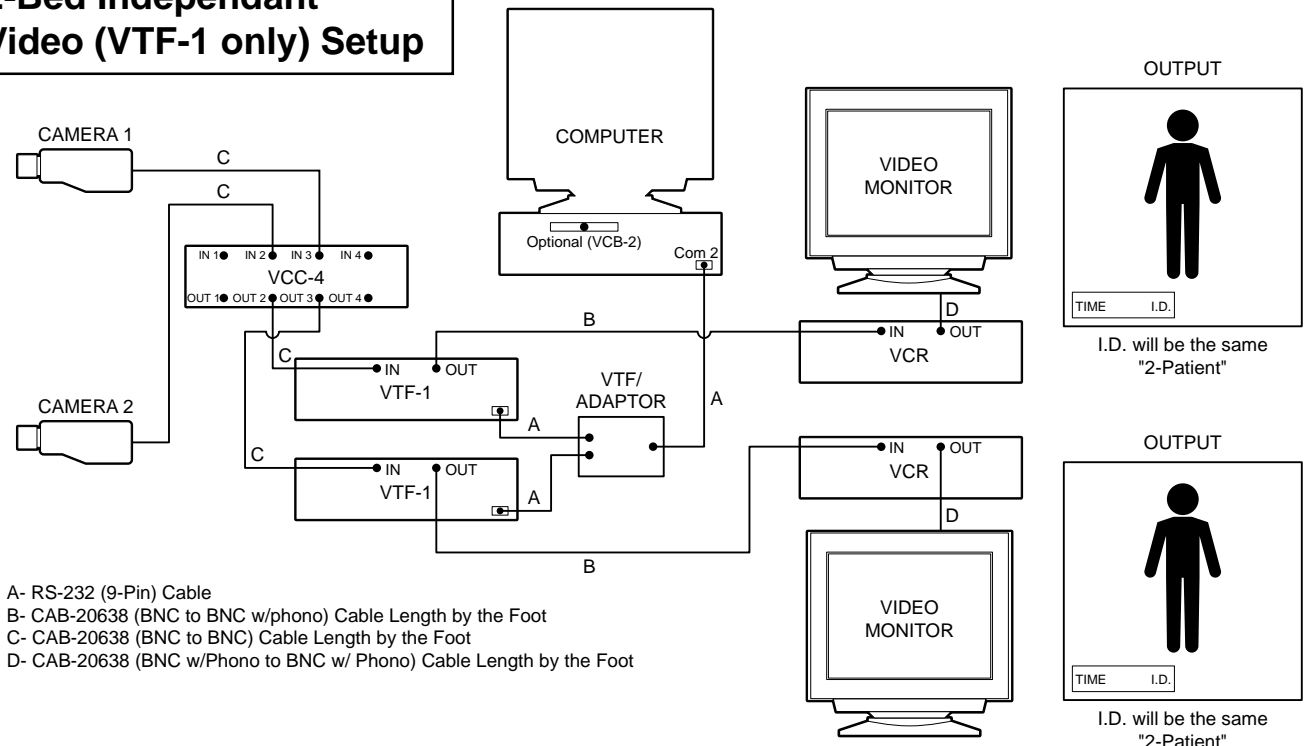


Grass-Telefactor, An Astro-Med, Inc. Product Group
 600 East Greenwich Avenue
 West Warwick, RI 02893 USA
 Phone 401-828-4000 • Fax 401-822-2430
 www.grass-telefactor.com • email grass-telefactor@astromed.com

2-Bed Independant Video Setup



2-Bed Independant Video (VTF-1 only) Setup



Grass-Telefactor, An Astro-Med, Inc. Product Group
 600 East Greenwich Avenue
 West Warwick, RI 02893 USA
 Phone 401-828-4000 • Fax 401-822-2430
 www.grass-telefactor.com • email grass-telefactor@astromed.com